



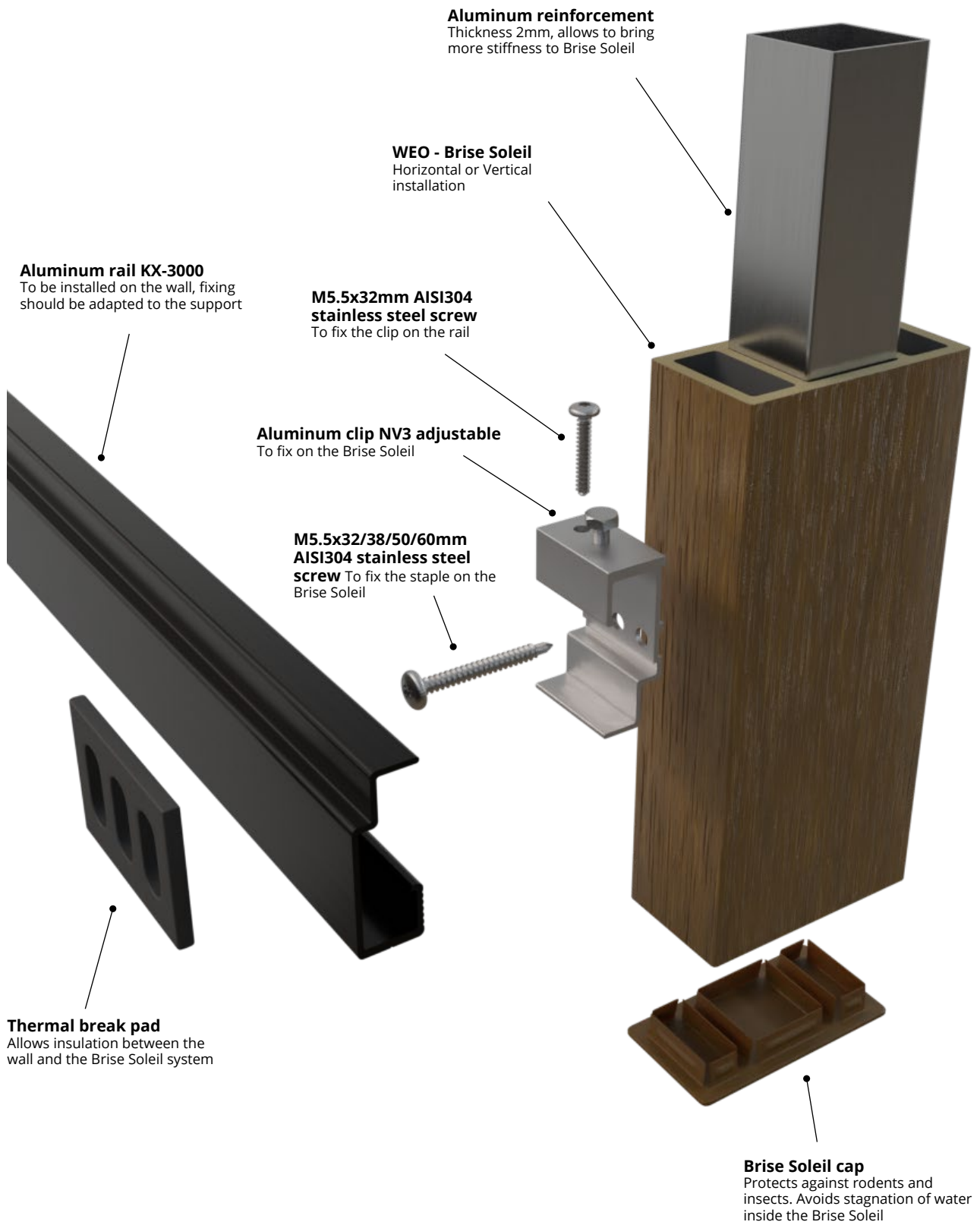
Installation manual

Brise Soleil

WEO[®]

Fiberdeck[®]

CONCEPT



TOOLS



- Special aluminum radial saw for cutting on table
- Screwdriver equipped with a Torx T25 bit (bit not supplied in the screw box)

Before installation

Please read this installation manual before starting the installation.

WEO Brise Soleil profiles are architectural elements intended for the cladding of building facades and serve to attenuate direct solar radiation. They should not be used for structural applications.

Before installation, check that the load-bearing wall can support the load of the Brise Soleil. Each Brise Soleil is wood plastic composite hollow profile with 2mm aluminum reinforcement inside.

The aluminum reinforcement must not be removed from the profile.

Storage and handling

Wood plastic composite is a material sensitive to creep. It is imperative to store the profiles always on a flat surface.

When storing the pallets, be sure to lay them along their entire length. Keep the protective cover of the pallets during the work as protection.

Avoid placing loads on the pallets.

Fixing the rails on the support

The choice of the fixing and the structure of the supporting surface remains the responsibility of the project manager.

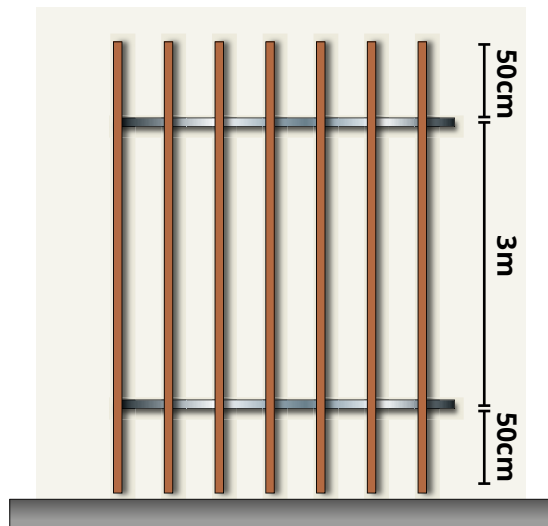
The weight of the Brise Soleil profile must be taken into account, especially if installation is made in a windy region.

Dimensions	Weight (kg)
WEO - Brise Soleil 42x60mm x 4m	7
WEO - Brise Soleil 52x100mm x 4m	12
WEO - Brise Soleil 62x120mm x 4m	15

DIRECTION OF INSTALLATION

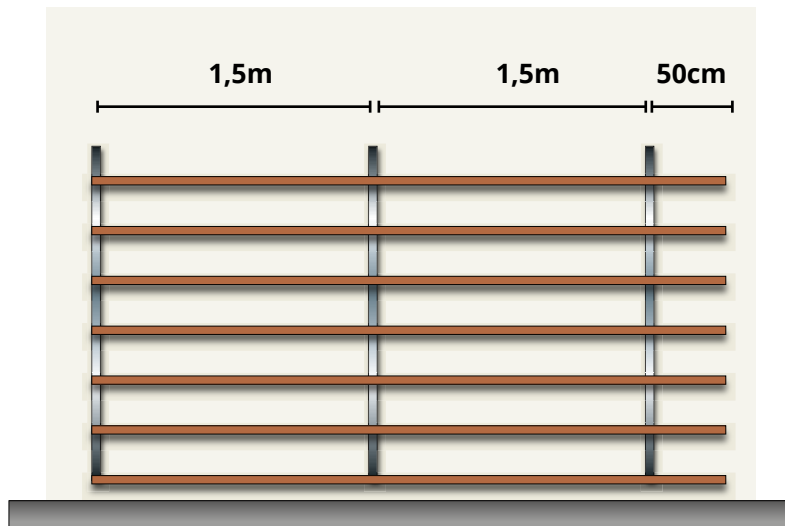
WEO Brise Soleil profiles can be installed horizontally or vertically.

Depending on the direction of installation, respect a maximum span between the rails:



VERTICAL INSTALLATION

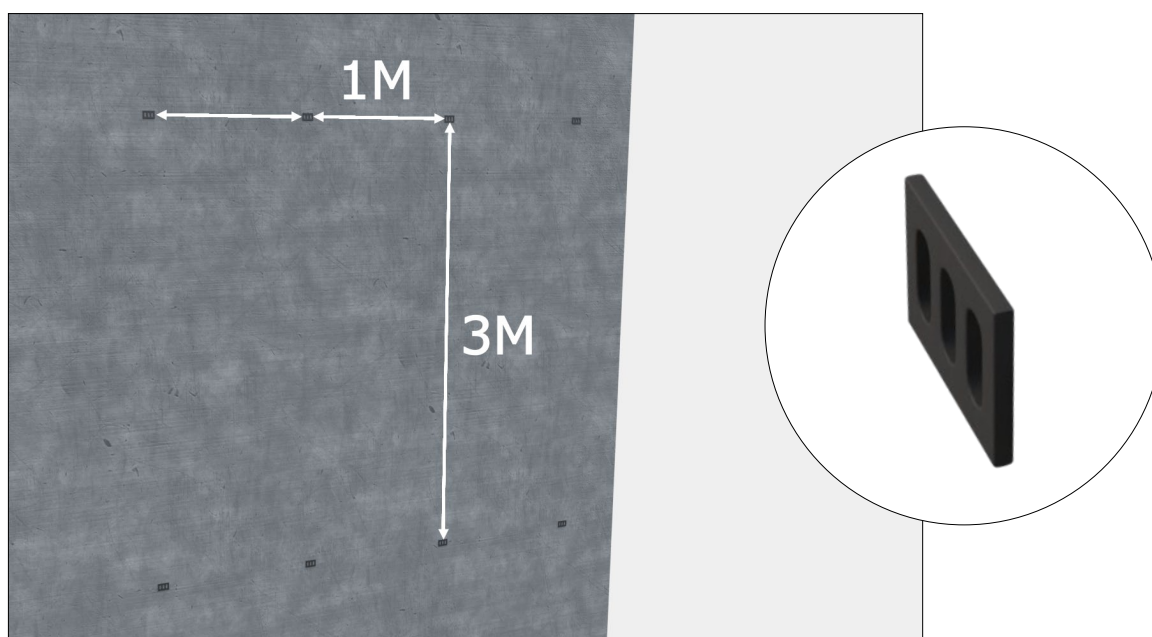
- Maximum span between rails 3.0m
- Overhang 50cm maximum



HORIZONTAL INSTALLATION

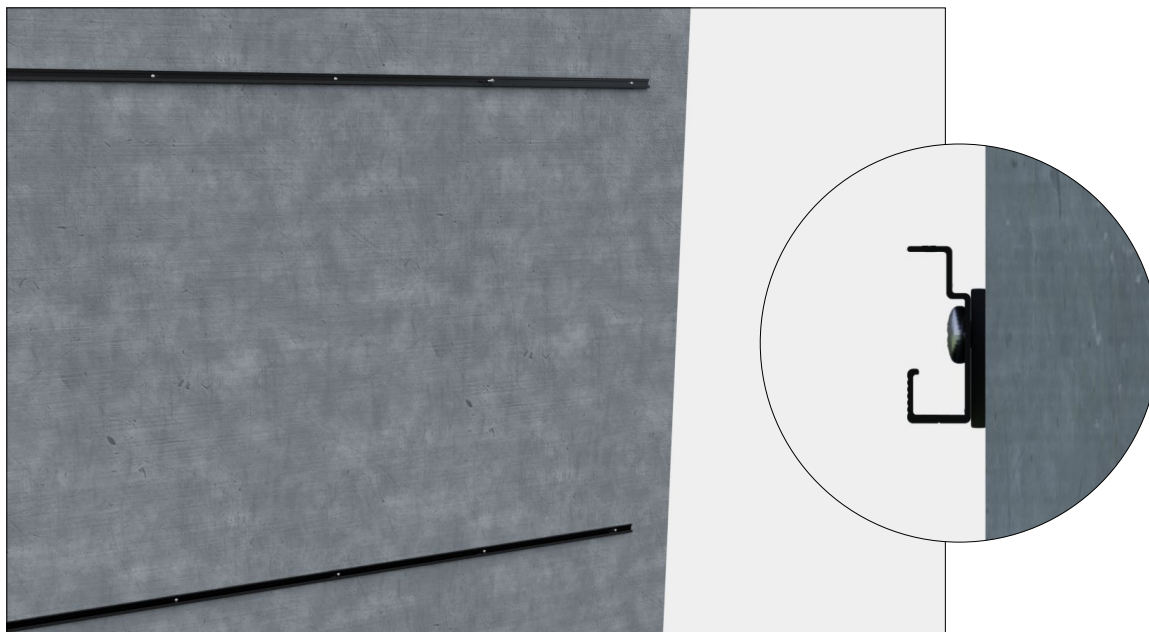
- Maximum span between rails 1.5m
- Overhang 50cm maximum

INSTALLATION STEPS

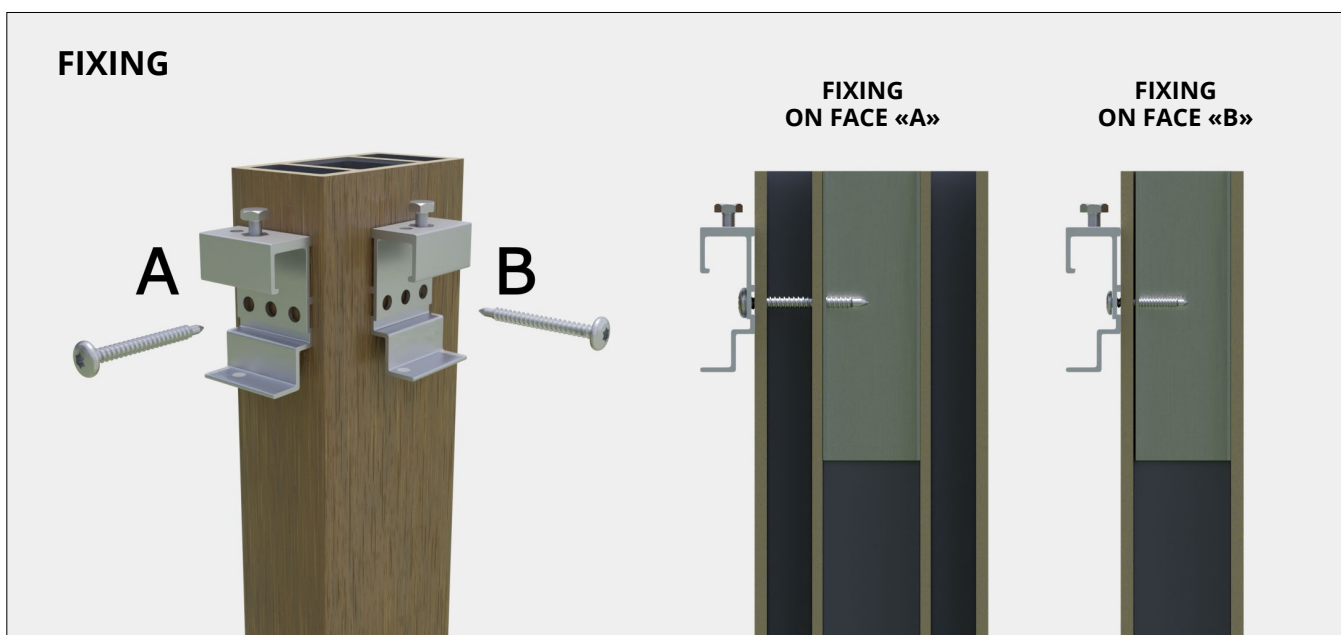


STEP 1 Add a thermal break pad (**ref 1157**) between the rail and the support.
A calculation note with the calculation of wind loads and shear forces is available for each profile.

INSTALLATION STEPS



STEP 2 Fix the rail (ref 1156) on the load-bearing wall with fixings suitable for the support.

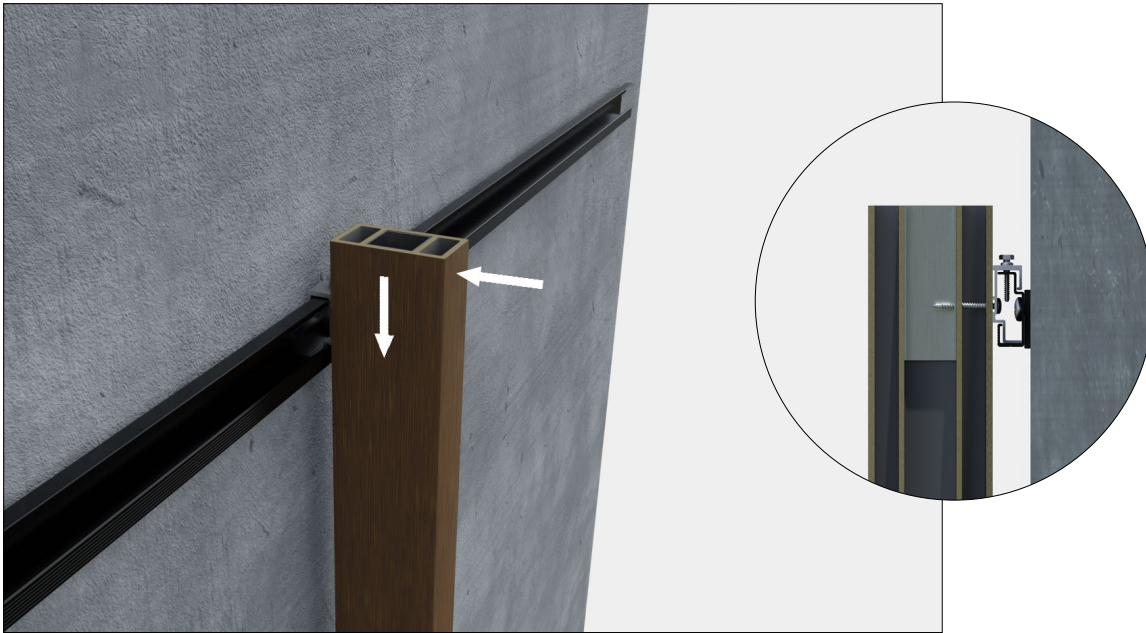


STEP 3 Each Brise Soleil can be installed on 2 different sides (A or B).

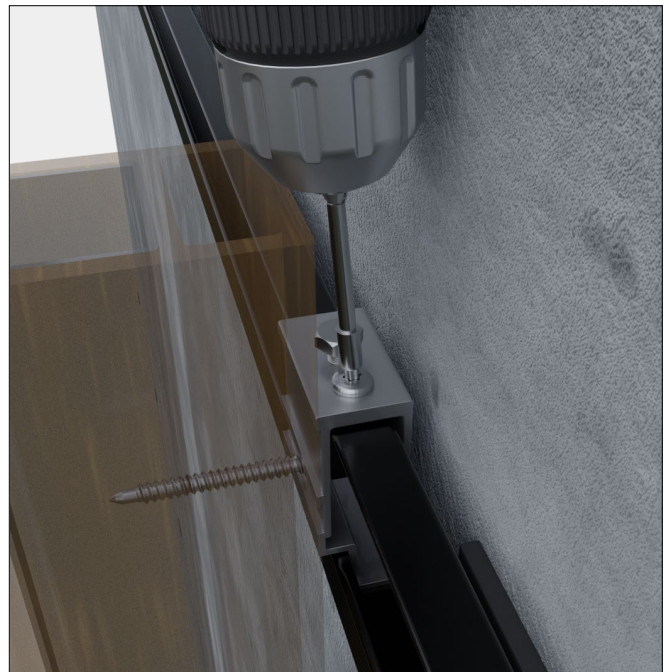
Depending on the side chosen, fixing the NV3 clip to the Brise Soleil must be done with a specific screw size. The length of the screw must be sufficient to hang the aluminum reinforcement inside the Brise Soleil (at least 3 threads).

Dimensions	INSTALLATION SIDE	
	Side A	Side B
WEO - Brise Soleil 42x60mm	Screw 5.5 x 38mm	Screw 5.5 x 32mm
WEO - Brise Soleil 52x100mm	Screw 5.5 x 50mm	Screw 5.5 x 32mm
WEO - Brise Soleil 62x120mm	Screw 5.5 x 60mm	Screw 5.5 x 32mm

INSTALLATION STEPS

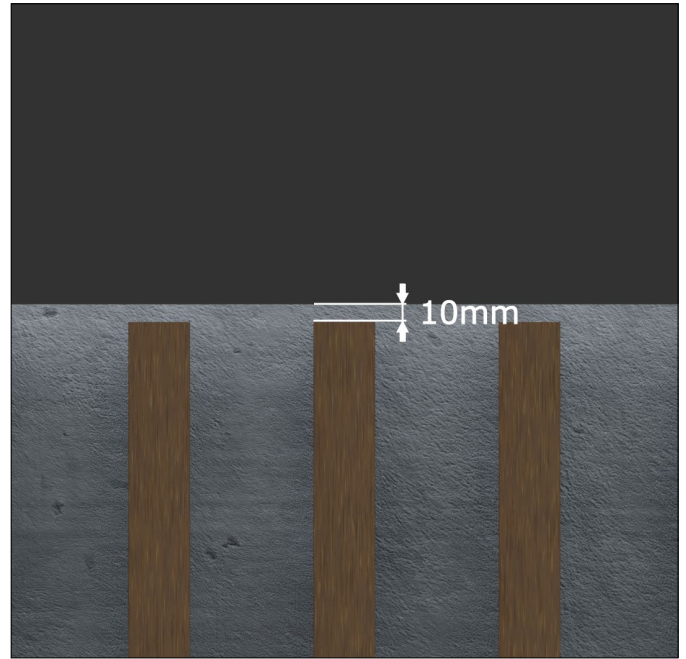
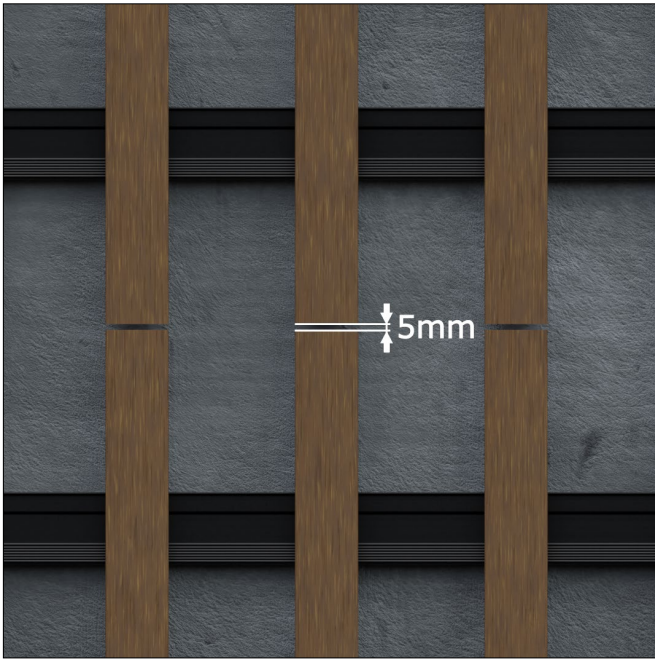


STEP 4 Install the Brise Soleil using the NV3 clip on the rail.

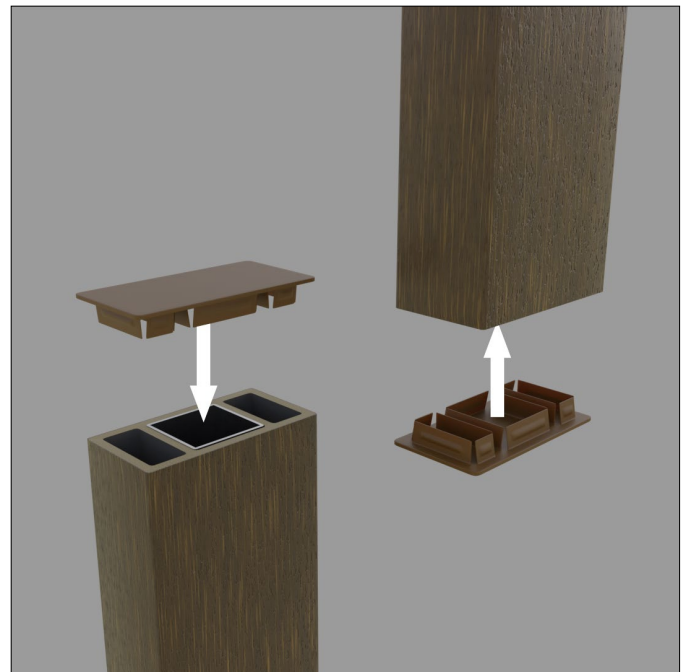
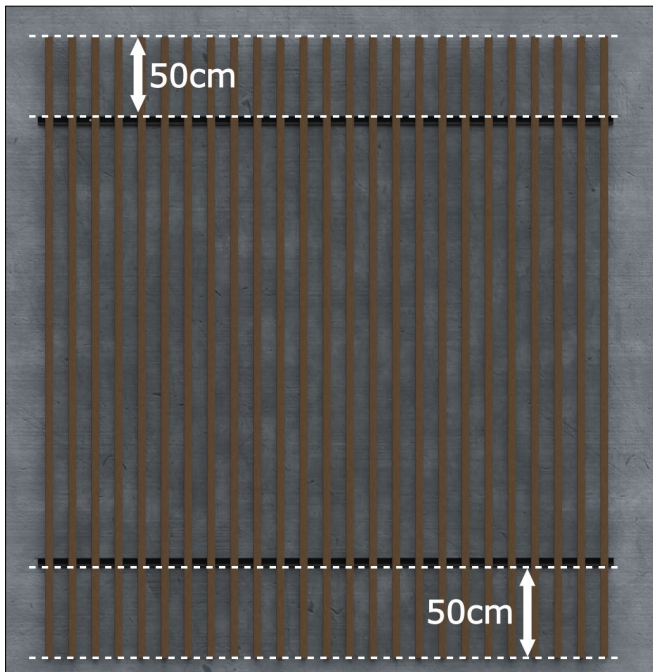


STEP 5 Adjust the verticality of the Brise Soleil with the M6x20mm adjustment screw. Then screw the NV3 clip onto the rail with a 5.5x32mm screw using a long bit.

INSTALLATION STEPS



EXPANSION GAP Leave a gap of 5mm between 2 ends of Brise Soleil and 10mm between a Brise Soleil and all types of obstacles encountered (carpentry, wall, angle, etc.).



OVERHANG A 50 cm overhang is tolerated at the end of Brise Soleil. The aluminum reinforcement must be inserted over the entire length of the profile.

CAP Insert a cap at the bottom of the Brise Soleil to protect it from rodents and insects and at the top of the Brise Soleil to prevent stagnation of water. The caps also have an aesthetic function to have a better finished look.

Fiberdeck[®]

www.fiberdeck.com